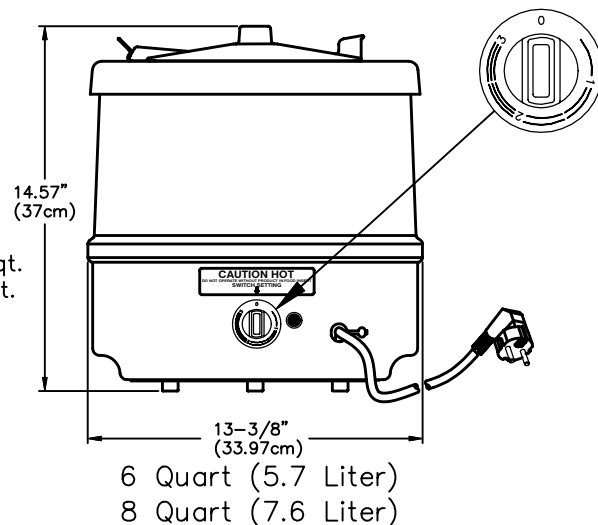
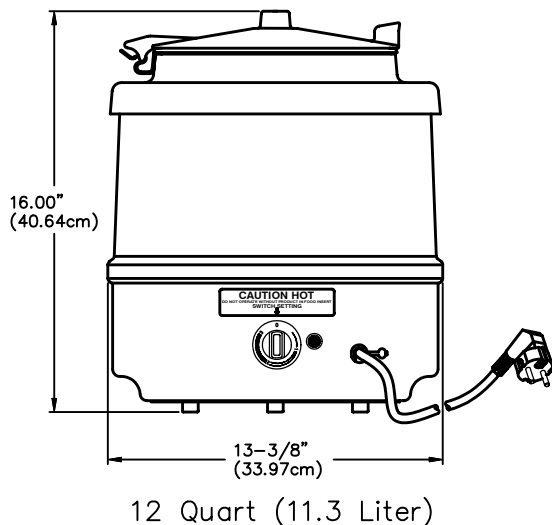


OPERATING AND MAINTENANCE INSTRUCTIONS FOR THE TOMLINSON 240 VOLT FRONTIER KETTLE



GENERAL DIMENSIONS

VOLUME:	6 Quart (5.7 Liter) 8 Quart (7.6 Liter) 12 Quart (11.3 Liter)
HEIGHT:	14.57" (37.0cm) 6&8 qt. 16.00" (40.64cm) 12 qt.
DIAMETER:	13-3/8" (ø33.97cm)
WEIGHT:	11 lbs. (5.0Kg)
VOLTS:	240V AC
HERTZ:	50/60 Hz
WATTS:	550W
AMPS:	2.3 AMPS



TO ENERGIZE:

Plug the power cord(#9) into a 240V AC outlet and rotate temperature control knob(#11) to desired setting. The pilot light will glow amber when unit is on.

PREPARATION:

Always follow food manufacturer's instructions to prepare food. Product can be mixed in a separate container or directly in the food insert. NEVER MOVE OR CARRY THE ENTIRE KETTLE WHEN HOT OR FULL. The optional bail handle and transport collar may be used to aid transportation of the filled food insert to the kettle.

DO NOT FILL FOOD INSERT TO THE RIM. FOOD PRODUCT SHOULD BE 2.0"(5cm) BELOW THE RIM. OVER FILLING THE FOOD INSERT MAY RESULT IN A BOIL OVER CONDITION AT HIGH TEMPERATURE SETTINGS.



TEMPERATURE CONTROL SWITCH SETTINGS:

The Frontier II Kettle temperature control switch is an "infinite" type switch. Any product temperature from ambient to boiling can be obtained by setting the switch at various points above 0 (lowest electrical energy input) and 3 (highest electrical energy input). Frontier II Kettle is shut off when switch is in the 0 position. For energy savings always turn switch to 0 when the kettle is not in use. Switch settings below 1 provide minimum heating. Switch setting on 3 provides maximum heating.



DO NOT RUN EMPTY KETTLE ON SETTING 3!

WET OPERATION:

Wet operation is recommended for all preparation and serving situations. Remove food insert(#2) and collar(#4). Add water to aluminum insert(#5) then replace collar(#4) and food insert(#2). Add 96 ounces(2.8L) of water, for 6 quart(5.7L) model, or 40 ounces(1.2L) of water, for 8 quart(7.6L) model, or 24 ounces(0.7L) of water for the 12 quart(11.3L) model. To rapidly heat product, set switch on 3. When desired product temperature is reached, set switch between 2 and 3. If product BOILS, set switch between 0 and 1 until serving temperature is reached. Set between 1 and 2 to HOLD or SERVE.



TO PREVENT OVERHEATING MAINTAIN WATER TO WATER LEVEL MARK.
ALWAYS TURN KETTLE CONTROL TO "0" (OFF) POSITION WHEN NOT IN USE.



DRY OPERATION IS NOT RECOMMENDED, OPERATE WET ONLY.

CLEANING:

The Frontier II Kettle should provide maintenance free operation. Only routine cleaning of spilled food from the exterior surface is required. The stainless steel food insert and plastic lid are machine washable. The aluminum kettle shell should be cleaned only with a soft cloth and mild detergent.



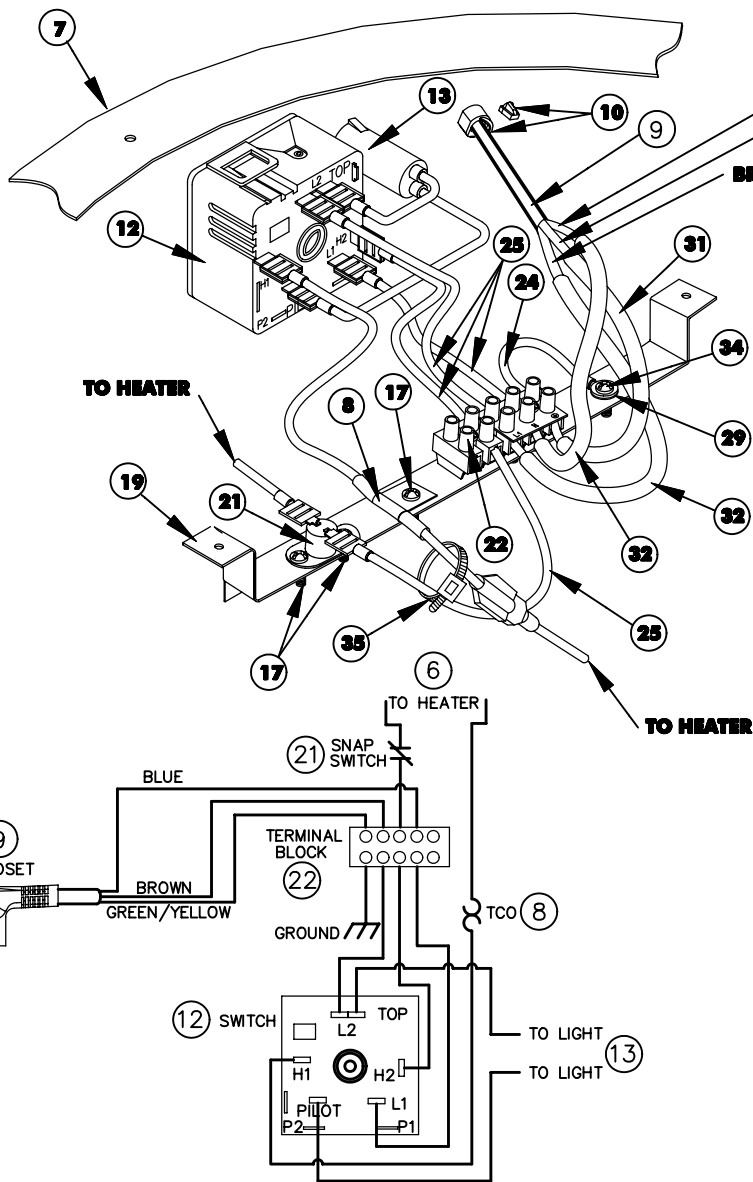
**DO NOT IMMERSE THE KETTLE IN ANY LIQUIDS.
DO NOT CLEAN THE KETTLE WITH WATER JET EQUIPMENT.**



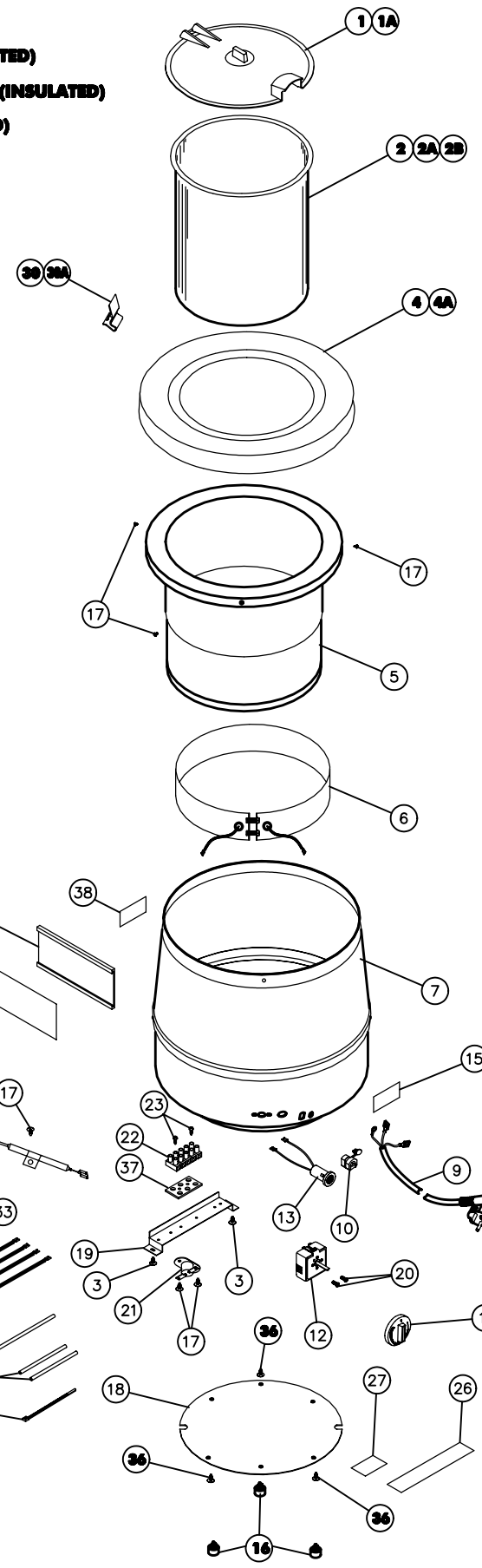
REPAIRS: Tomlinson Industries cannot be responsible for unauthorized field repairs. For repair service within the warranty, contact your distributor for the nearest authorized service facility or instructions.

Repairs must always be made by qualified personnel only. ALWAYS DISCONNECT POWER BEFORE SERVICING. If the supply cord is damaged, it must be replaced by the manufacturer, its service agent, or a similarly qualified person in order to avoid a hazard.

EXPLODED ASSEMBLY AND PART REFERENCE FOR THE TOMLINSON 240 VOLT FRONTIER KETTLE



SWITCH WIRING DIAGRAM



WARNING

REPAIRS: Tomlinson Industries cannot be responsible for unauthorized field repairs. For service within the warranty, contact your distributor for the nearest authorized service facility. REPAIRS must be made by qualified, authorized personnel only.

WARNING

This appliance MUST BE serviced by QUALIFIED PERSONNEL ONLY. The power supply cord MUST BE disconnected from the power source before starting any repairs.

EXPLODED ASSEMBLY PART LIST FOR THE TOMLINSON 240 VOLT FRONTIER KETTLE

PARTS LIST			
ITEM	DESCRIPTION	PART NO.	QTY.
1	LID, MOLDED 8QT.	1906803	1
1A	LID, MOLDED 12QT.	1906805	1
2	FOOD INSERT, 8QT. STAINLESS STEEL	1906625	1
2A	FOOD INSERT, 12QT. STAINLESS STEEL	1906626	1
2B	FOOD INSERT, 6QT. STAINLESS STEEL	1906624	1
3	SCREW, 8-32 x 3/8" PHILLIP PAN HEAD	1908189	2
4	COLLAR, 8QT. BLACK	1908501	1
4A	COLLAR, 12QT. BLACK	1908502	1
5	INSERT, KETTLE ALUMINUM	1914438	1
6	HEATER, BAND 550W 240V	1914766	1
7	SHELL, KETTLE ASSEMBLY BLACK	1414442	1
8	FUSE, THERMO 10.00" JUMPER 1-MALE, 1-FEMALE	1914765	1
9	CORDSET ASSEMBLY, 240V	1906697	1
10	BUSHING, STRAIN RELIEF	1912994	1
11	DIAL, SWITCH	1915623	1
12	SWITCH, INFINITE 240V VDE	1915433	1
13	LIGHT, PILOT 240V AMBER LENS	1906722	1
14	CARD HOLDER, MAGNETIC 4.25"	1915143	1
15	LABEL, CAUTION HOT	1906710	1
16	FOOT, BLACK VINYL	1915175	3
17	SCREW, 6-32x3/8 PHILLIP PAN HEAD	1906608	6
18	PLATE, BOTTOM	1914440	1
19	BRACKET, TERMINAL BLOCK	1914441	1
20	SCREW, M4X0.7-6GX5MM	1914869	2
21	SWITCH, SNAP	1915034	1
22	BLOCK, TERMINAL 5 WIRE	1906603	1
23	SCREW, 8-32 x 3/4" PHILLIP PAN HEAD	1906605	2
24	JUMPER, 3.00" GREEN/YELLOW #6 RING TERMINAL	1915708	1
25	JUMPER, 6.00" BROWN 1-FEMALE INSULATED TERMINALS	1913544	4
26	LABEL, DISCONNECT POWER BEFORE SERVICE	1912262	1
27	LABEL, 240V 550W KETTLE (CE)	1915736	1
28	CARD SET, 12 CARDS 2 SIDED	1915144	1
29	WASHER, #6 INTERNAL TOOTH STAR	1907834	1
30	HINGE, 8QT	1906813	1
30A	HINGE, 12QT	1906809	1
31	SLEEVE, INSULATING 5.00" GREEN	1915692	1
32	SLEEVE, INSULATING 3.00"	1915137	2
34	SCREW, 6-32 x 1/2" PHILLIP PAN HEAD	1904443	1
35	TIE, WIRE NYLON 4.00"	1915054	1
36	SCREW, 6-32 x 1/2" TYPE A 18-8 STAINLESS STEEL	1915695	3
37	MARKER, TERMINAL BLOCK	1915711	1
38	LABEL, CAUTION HOT	1909401	1