

# SIMPLI-FLEX® ESF2000

## UNDER COUNTER/WALL MOUNTED DISPENSERS

### MOUNTING THE DISPENSER:

1. Position wall bracket (11) in desired location. NOTE: If mounted on wall allow sufficient height to dispense. (See Page 2, Figure 4)
2. Mark location of screw holes on mounting surface.
3. Pre-drill holes for #10 x 3/4" mounting screws (10).
4. Fasten wall brackets to mounting surface. NOTE: Screw anchors may be necessary when mounting on drywall or other thin surface.
5. Position dispenser tube brackets (8) over wall brackets. Slide dispenser into wall bracket until snug.

### LOADING THE DISPENSER:

Your Modular SIMPLI-FLEX® dispenser is completely self-adjusting and can dispense virtually any size or shape of cup!

1. Unwrap cups and gently push into completely assembled dispenser tube, BOTTOM OF CUP FACING OUT. (See Figure 2)

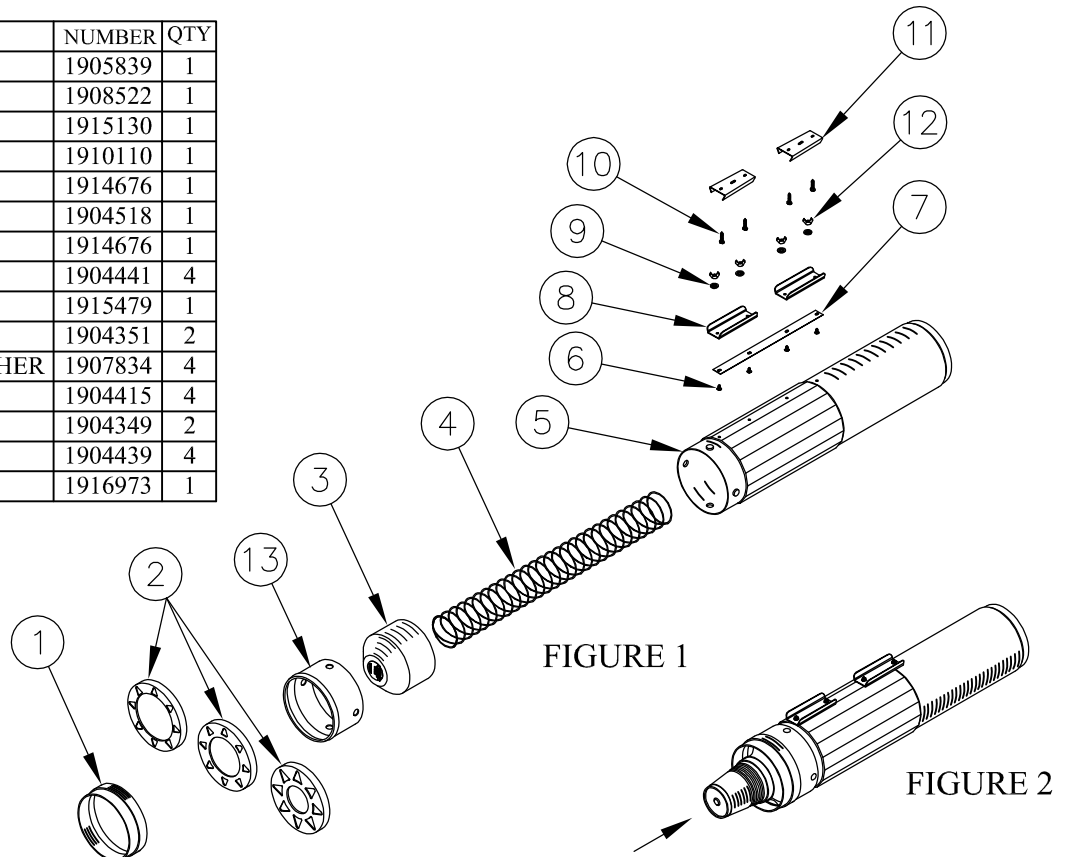
### CLEANING THE DISPENSER:

Your Modular SIMPLI-FLEX® dispenser is designed to provide an easy means of dispensing. The dispenser can be disassembled without tools to make regular cleaning simple! Please clean dispenser before use. Regular cleaning will prolong the life of the dispenser, keep it looking new and ensure sanitary dispensing.

1. Remove dispenser from wall or mounting location.
2. Remove clamp ring (1), gasket (2), pusher (3), and spring (4). (See Figure 1)
3. Clean clamp ring and gasket in hot, soapy water. Air dry. NOTE: these parts are dishwasher safe.
4. Rinse dispenser tube and wipe with a non-toxic cleaner/sanitizer.
5. Reassemble dispenser in reverse of above.

CATALOG NUMBER	APPLICATION	DESCRIPTION
1015470	Elevator type, under counter/wall mount, for paper, plastic, foam cups	ESF2000 UNDER COUNTER

ITEM	DESCRIPTION	NUMBER	QTY
1	SF CLAMP RING	1905839	1
2	GASKET #5A 2.84 I.D.	1908522	1
	#5B 1.70 I.D.	1915130	1
	#5E 3.87 I.D.	1910110	1
3	PUSHER	1914676	1
4	SPRING	1904518	1
5	TUBE	1914676	1
6	TRUSS HEAD SCREW	1904441	4
7	BRACE	1915479	1
8	DISPENSER BRACKET	1904351	2
9	INTERNAL TOOTH STAR WASHER	1907834	4
10	PHILLIPS HEAD SCREW	1904415	4
11	WALL BRACKET	1904349	2
12	WING NUT	1904439	4
13	MOUNTING RING	1916973	1



## MODULAR DISPENSING SYSTEMS

DIVISION OF TOMLINSON INDUSTRIES

13700 Broadway Ave.

Cleveland Ohio 44125-1992

Phone: 216/587-3400

Fax: 216/587-0733

www.tomlinsonind.com

World Class, Worldwide



©Tomlinson Industries 2000

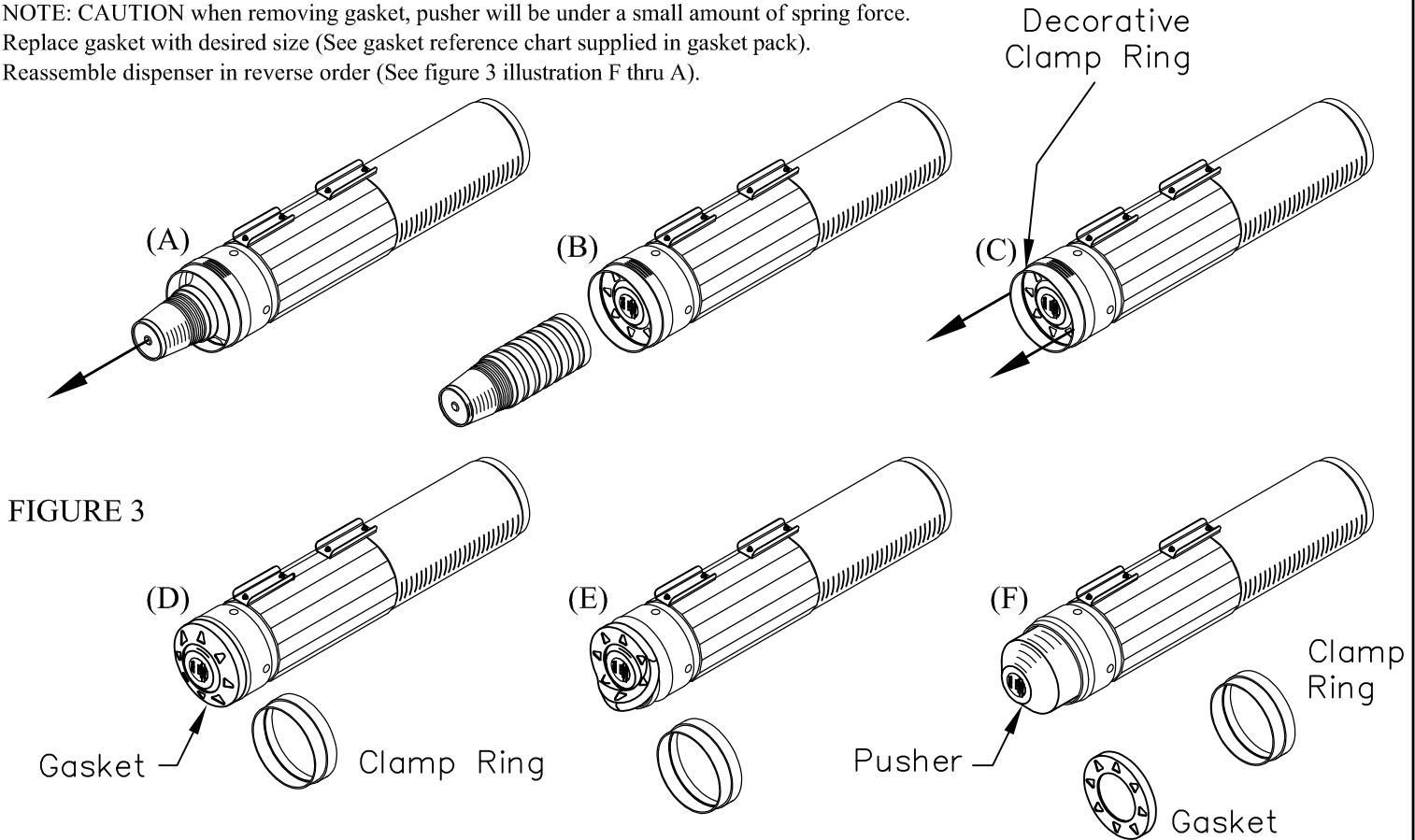
# SIMPLI-FLEX® ESF2000

## UNDER COUNTER/WALL MOUNTED DISPENSERS

### CHANGING CUP SIZE:

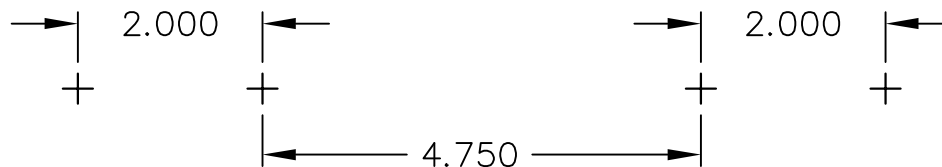
For reference to instructions below use exploded view of cup dispenser (See page 1 figure 1).

1. Remove cup(s) from dispenser (See figure 3 illustration A and B).
2. Remove decorative clamp ring (See figure 3 illustration C and D).
3. Peel off gasket from lip of dispenser (See figure 3 illustration E and F).  
NOTE: CAUTION when removing gasket, pusher will be under a small amount of spring force.
4. Replace gasket with desired size (See gasket reference chart supplied in gasket pack).
5. Reassemble dispenser in reverse order (See figure 3 illustration F thru A).



LOCATION FOR WALL BRACKETS. (Dimensions are for reference only "DO NOT USE AS TEMPLATE").  
NOTE: IF MOUNTED ON WALL, ALLOW SUFFICIENT HEIGHT TO DISPENSE.

FIGURE 4



NOT TO SCALE

## MODULAR DISPENSING SYSTEMS

DIVISION OF TOMLINSON INDUSTRIES

13700 Broadway Ave.  
Cleveland Ohio 44125-1992

Phone: 216/587-3400

Fax: 216/587-0733

www.tomlinsonind.com

World Class, Worldwide



©Tomlinson Industries 2000