

CLEANING & SANITIZING INSTRUCTIONS FOR TOMLINSON ICED TEA URN SPB & SPBH FAUCETS

Proper cleaning and sanitizing of the faucet on your tea machine is necessary to deliver great tasting fresh brewed iced tea. SPB and SPBH faucets do not require tools for servicing, cleaning and sanitizing. Simplified construction means fewer parts to wear out or replace.

To prevent bacterial growth, follow step by step sequence and refer to the diagram below. When ordering replacement parts, be sure to specify our model number. The chart below shows common replacement parts.

IMPORTANT: To prevent bacterial growth and protect tea flavor, clean and sanitize tea brewing and storage equipment at least ONCE A DAY according to manufacturer's directions.

CLEANING & SANITIZING

STEP 1:

Remove the entire upper assembly by unscrewing the bonnet (A).

STEP 2:

- Pull seat cup (B) to remove from stem. Inspect for wear or hardening and replace if necessary.
- Clean all parts, including faucet body, in hot soapy water.
- Sanitize with a chlorine (50 PPM), iodine (14 PPM) or quaternary ammonium compound (100 PPM).
- Rinse with clear hot water.

STEP 3:

Snap seat cup over stem end by applying direct pressure.

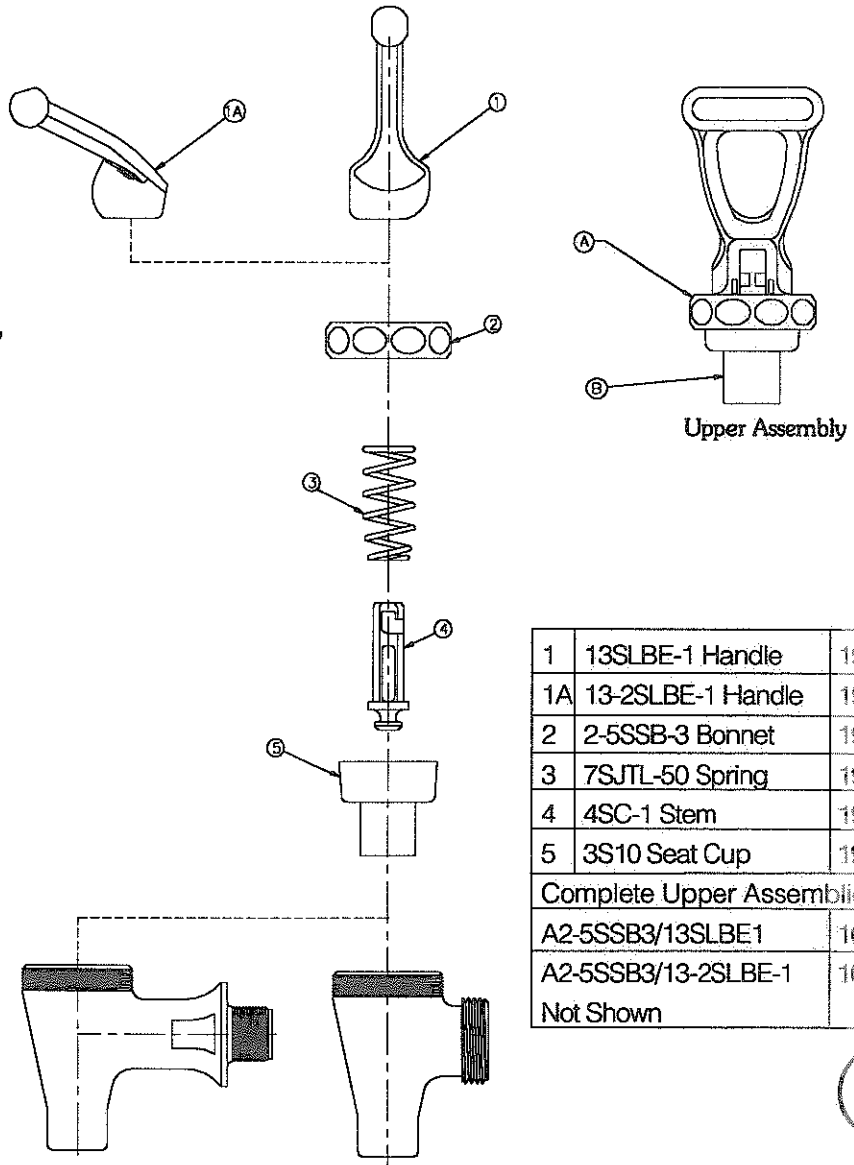
STEP 4:

Screw upper assembly back onto body.
HAND TIGHTEN ONLY!

NOTE:

To dismantle the entire upper assembly, carefully pull handle from stem while applying pressure to seat cup. Remove spring, stem and seat cup. Reassemble in reverse.

Tomlinson manufactures this same valve for most major tea brewer manufacturers whose names may appear on the handle.



1	13SLBE-1 Handle	1902072
1A	13-2SLBE-1 Handle	1902299
2	2-5SSB-3 Bonnet	1901922
3	7SJTL-50 Spring	1902033
4	4SC-1 Stem	1902022
5	3S10 Seat Cup	1901977
Complete Upper Assemblies:		
	A2-5SSB3/13SLBE1	1001031
	A2-5SSB3/13-2SLBE-1	1001035
	Not Shown	



Tomlinson Industries
No-Drip® Faucet Division
 13700 Broadway
 Cleveland, OH 44125-1992
 (216) 587-3400 • Fax: (216) 587-0733