

MODULAR SIMPLI-FLEX[®]

SF-1002/SF-1015 ICE CREAM CONE DISPENSER INSTRUCTIONS

MOUNTING THE DISPENSER:

Gravity fed dispensers may be mounted in any position from vertical to 55° from vertical. Refer to figures 1 and 2.

1. Position wall bracket (# 9) in desired location allowing sufficient height to dispense.
2. Mark location of screw holes on mounting surface.
3. Pre-drill holes for mounting screws (# 8) provided.
4. Screw wall bracket to mounting surface. NOTE: wall anchors may be necessary when mounting on drywall or other thin substrates.
5. Position dispenser tube bracket (# 10) over wall bracket (#9). Slide dispenser into wall bracket until snug.

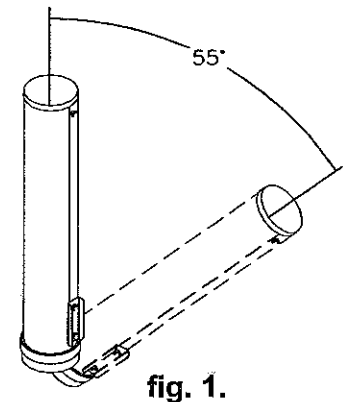


fig. 1.

LOADING THE DISPENSER:

Your Modular SIMPLI-FLEX[®] dispenser is completely self-adjusting and can dispense virtually any shape of ice cream cone! Please clean dispenser before use. See below.

To load flat bottom cones it is not necessary to remove dispenser from mounting location.

1. Remove lid (# 4).
2. Unwrap cones and gently drop into dispenser. It may be necessary to pull first cone through dispenser opening.
3. Replace lid.

To load "Waffle Cones" or other heavy, fragile cones:

1. Remove dispenser from mounting location and lay on clean flat surface.
2. Remove lid (# 4). Carefully slide stack of cones into dispenser tube.
3. Replace lid and slowly raise tube. Guide bottom cone through dispenser opening.
4. Remount dispenser.

CLEANING THE DISPENSER:

All ice cream cones will chip and flake slightly. Your Modular SIMPLI-FLEX[®] dispenser is designed to minimize cone damage and provide an easy means of dispensing. The dispenser can be completely disassembled without tools to make regular cleaning simple and painless! Regular cleaning will prolong the life of the dispenser, keep it looking new and ensure sanitary dispensing.

PROCEDURE:

1. Remove dispenser from wall mounting location.
2. Remove lid (# 4), clamp ring (# 3), and gasket (# 2).
3. Clean lid, clamp ring and gasket in hot, soapy water. Air dry. Note: these parts are dishwasher safe.
4. Rinse inside of dispenser tube and wipe with a non-toxic cleaner/sanitizer.
5. Exterior of tube may be cleaned with any glass cleaner and a soft cloth.
6. Reassemble dispenser in reverse of above.

NOTE: CLEAR PLASTIC DISPENSER SHOULD BE CLEANED WITH SOAPY WATER AND A SOFT CLOTH ONLY! DO NOT USE PAPER TOWELS AS THEY WILL SCRATCH THE TUBE.

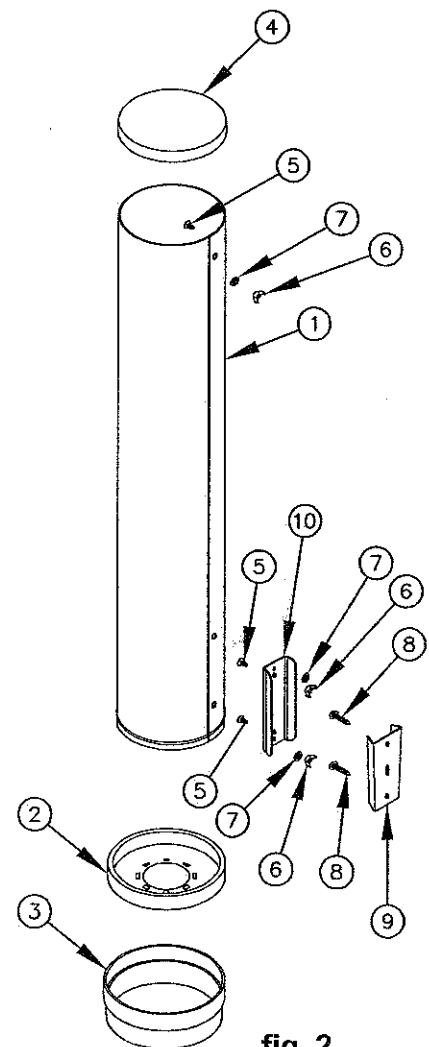


fig. 2.

MODULAR[®]
DISPENSING SYSTEMS
DIVISION OF TOMLINSON INDUSTRIES
13700 Broadway Ave.
Cleveland Ohio 44125-1992
© 2012 Tomlinson Industries

DISPENSERS:

1. SIMPLI-FLEX[®] Dispenser (SF-1002) - Stainless Steel Tube # 1003846
2. SIMPLI-FLEX[®] Dispenser (SF-1002P) - Plastic Tube # 1003848
3. SIMPLI-FLEX[®] Dispenser (SF-1003S) - Stainless Steel Tube # 1007516
4. SIMPLI-FLEX[®] Dispenser (SF-1015P) - Plastic Tube # 1003850
5. SIMPLI-FLEX[®] Dispenser (SF-1015P-30) - Plastic Tube # 1007710