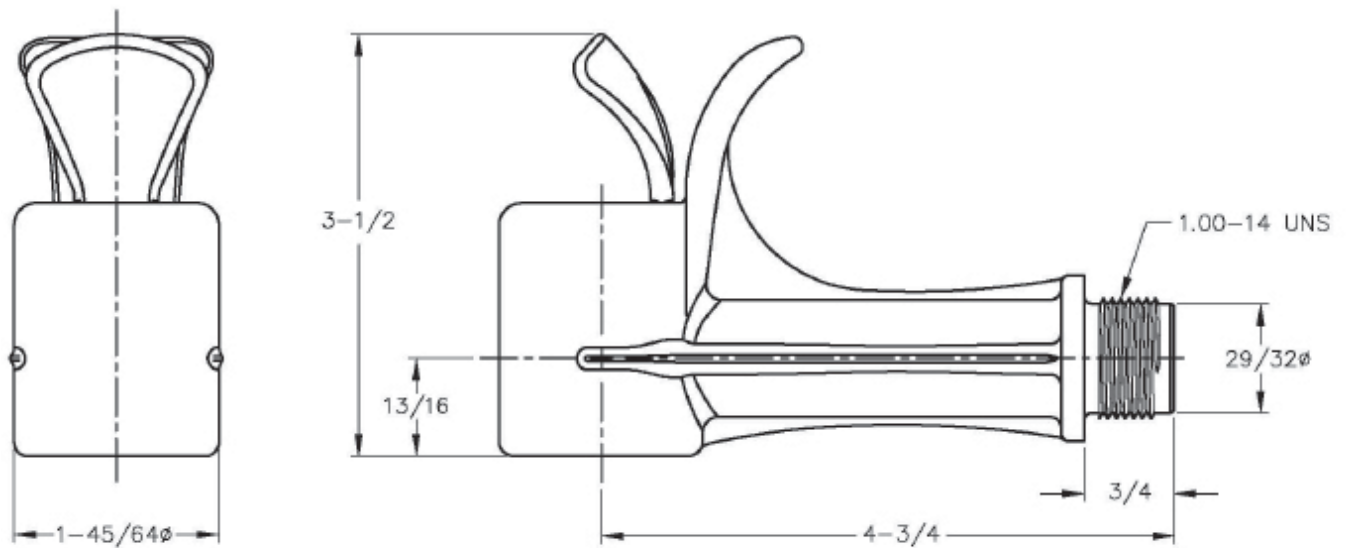


# 850W Valve

Dispense viscous liquids  
at gravity pressure



**Flow Rate:** 3 GPM/11.36 LPM

**Maximum Pressure Rating:** 2 PSI/0.14 BAR

**Maximum Temperature Rating:** 120°F/54°C



**tomlinson**<sup>®</sup>

[www.tomlinsonind.com](http://www.tomlinsonind.com)