

600 PBRH Series Designer Hot Faucets



Features:

- Smooth operating ceramic disk element
- Lever style handle
- High reach neck design of 12" (305 mm)
- Neck swivels 360°
- Protective spout tip prevents after drip
- Two-year warranty
- Spout reach is approximately 5" (127 mm)
- Pressure rating: 125 PSI/8.6 BAR
- Flow rate: varies depending on instant hot water dispenser
- Temperature rating: 40°F/4°C to 190°F/88°C
- 1/4" OD x 30" tubing pre-installed
- Includes installation hardware and instructions

Colors/Finishes:

- Polished chrome (#1022304)
- Satin nickel (#1022318)
- Antique bronze (#1022319)
- Brushed Stainless (#1022324)

Compatible with the following hot water dispensers:

- Waste King® (Anaheim Mfg.)
- Everpure® Everhot EV931840
- HT200 Franke® Little Butler Heating Tank
- Everpure® Commercial Grade Instant Hot CGHE1
- Little Gourmet®
- KitchenAid® (Whirlpool®)
- Mountain Plumbing MT641
- Quick & Hot® Waterstone #5000 Hot Tank
- Solaria™ Instant Hot Water Dispenser EV9318-40

**Not compatible with InSinkErator® products.*

Codes Applicable:

● The 600 PBRH Series Designer Faucet is certified to NSF/ANSI Standard 61 – Annex G. These faucets are low-lead plumbing products and are in compliance with California's Health and Safety Code (Section 116875; commonly known as AB1953).

● Compliant with pending revisions to the USEPA Safe Drinking Water Act with effectivity January 4, 2014.

● ADA Compliance - ANSI A117.1

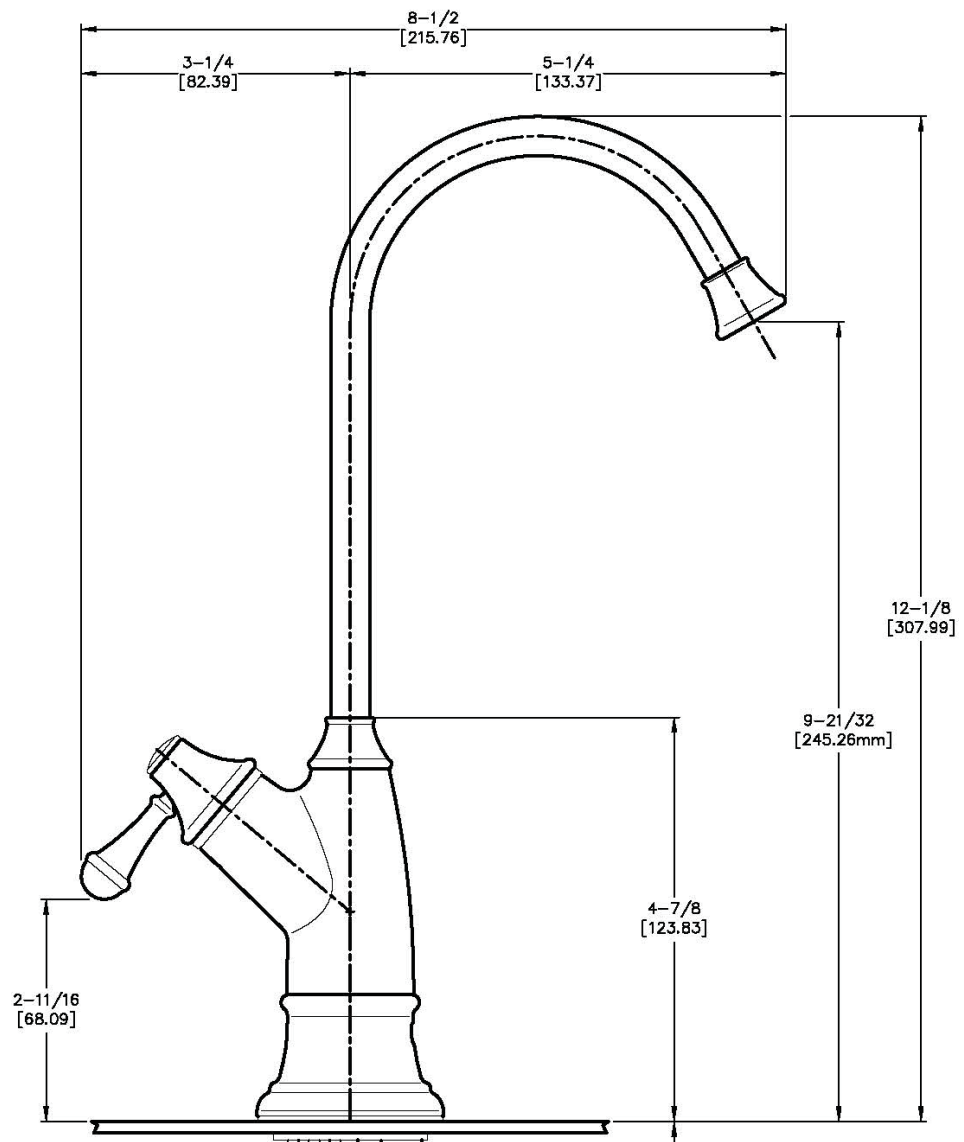
Technical dimensions on reverse side.

www.tomlinsonind.com

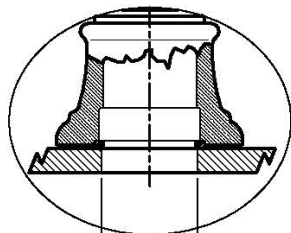


Certified to NSF/ANSI 61
Section 5-G



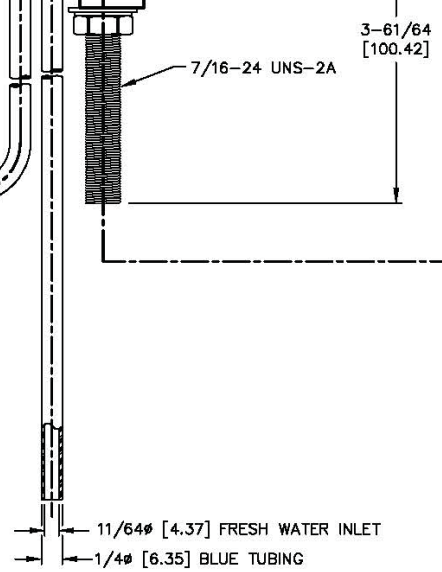


MOUNTING HOLE:

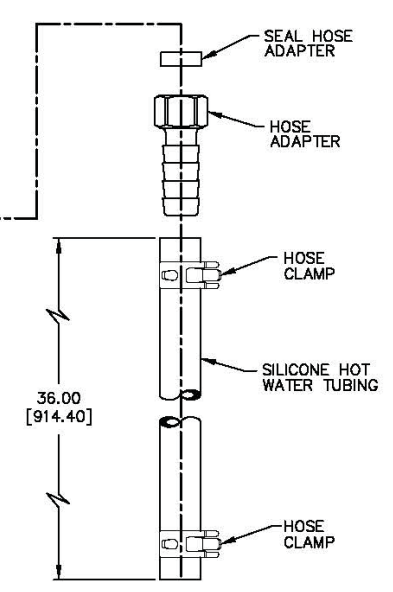


1.00" ϕ MINIMUM
 1-1/4" ϕ MAXIMUM
 MOUNTING HOLE

11/64 ϕ [4.37] TO HOT WATER TANK
 1/4 ϕ [6.35] YELLOW TUBING



11/64 ϕ [4.37] FRESH WATER INLET
 1/4 ϕ [6.35] BLUE TUBING



36.00 [914.40]