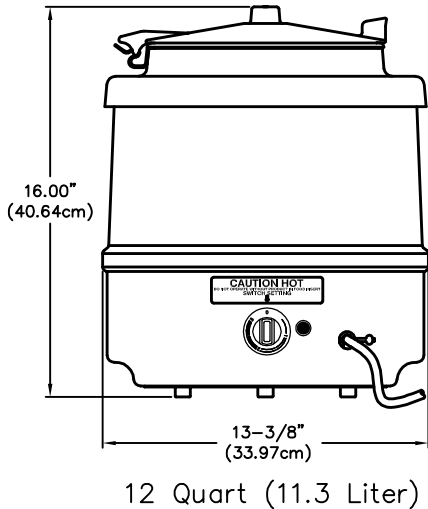


OPERATING AND MAINTENANCE INSTRUCTIONS FOR THE TOMLINSON 120 VOLT FRONTIER II KETTLE ®



GENERAL SPECIFICATIONS

VOLUME: 6 Quart (5.7 Liter)
8 Quart (7.6 Liter)
12 Quart (11.3 Liter)

HEIGHT: 14.57" (37.0cm) 6&8 qt.
16.00" (40.64cm) 12 qt.

DIAMETER: 13-3/8" (ø33.97cm)

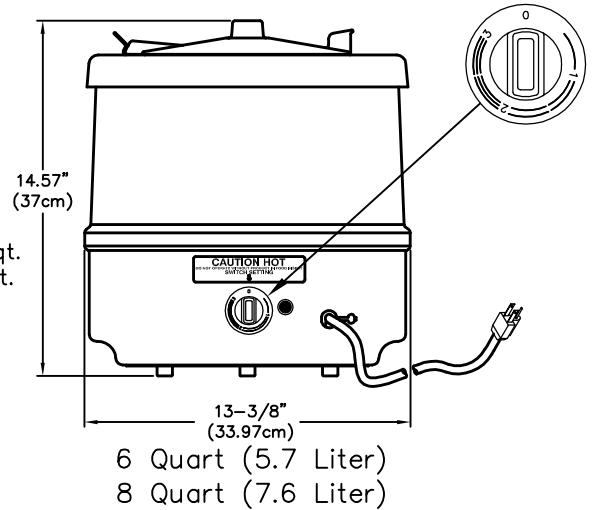
WEIGHT: 11 lbs. (5.0Kg)

VOLTS: 120V AC

HERTZ: 60 Hz

WATTS: 650W

AMPS: 5.4 AMPS

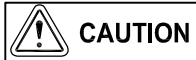


TO ENERGIZE:

Plug the power cord(#9) into a 120V AC outlet and rotate temperature control knob(#11) to desired setting. The pilot light will glow amber when unit is on.

PREPARATION:

Always follow food manufacturer's instructions to prepare food. Product can be mixed in a separate container or directly in the food insert. NEVER MOVE OR CARRY THE ENTIRE KETTLE WHEN HOT OR FULL.



DO NOT FILL FOOD INSERT TO THE RIM. FOOD PRODUCT SHOULD BE 2.0"(5cm) BELOW THE RIM. OVER FILLING THE FOOD INSERT MAY RESULT IN A BOIL OVER CONDITION AT HIGH TEMPERATURE SETTINGS.

TEMPERATURE CONTROL SWITCH SETTINGS:

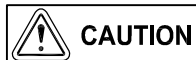
The Frontier II Kettle temperature control switch is an "infinite" type switch. Any product temperature from ambient to boiling can be obtained by setting the switch at various points above 0 (lowest electrical energy input) and 3 (highest electrical energy input). The Frontier II Kettle is off when switch is in the 0 position. For energy savings always turn switch to 0 when the kettle is not in use. Switch settings below 1 provide minimum heating. Switch setting on 3 provides maximum heating.



DO NOT RUN EMPTY KETTLE ON SETTING 3!

WET OPERATION:

Wet operation is recommended for all preparation and serving situations. Remove food insert(#2) and collar(#4). Add water to aluminum insert(#5) then replace collar(#4) and food insert(#2). Add 96 ounces(2.8L) of water, for 6 quart(5.7L) model, or 40 ounces(1.2L) of water, for 8 quart(7.6L) model, or 24 ounces(0.7L) of water for the 12 quart(11.3L) model. To rapidly heat product, set switch on 3. When desired product temperature is reached, set switch between 2 and 3. If product BOILS, set switch between 0 and 1 until serving temperature is reached. Set between 1 and 2 to HOLD or SERVE. Cold food is not to be added to unit for rethermalization while hot food is being held.



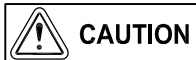
TO PREVENT OVERHEATING MAINTAIN WATER TO WATER LEVEL MARK. ALWAYS TURN KETTLE CONTROL TO "0" (OFF) POSITION WHEN NOT IN USE.



DRY OPERATION IS NOT RECOMMENDED, OPERATE WET ONLY.

CLEANING:

The Frontier II Kettle should provide maintenance free operation. Only routine cleaning of spilled food from the exterior surface is required. The stainless steel food insert and plastic lid are machine washable. The aluminum kettle shell should be cleaned only with a soft cloth and mild detergent.



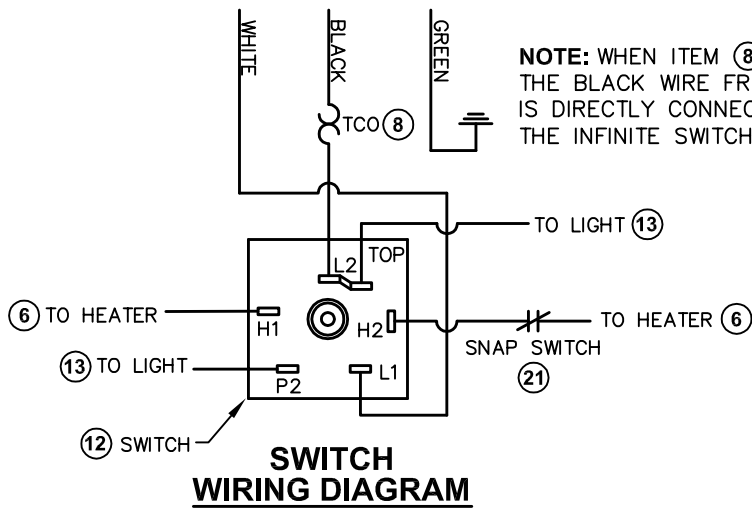
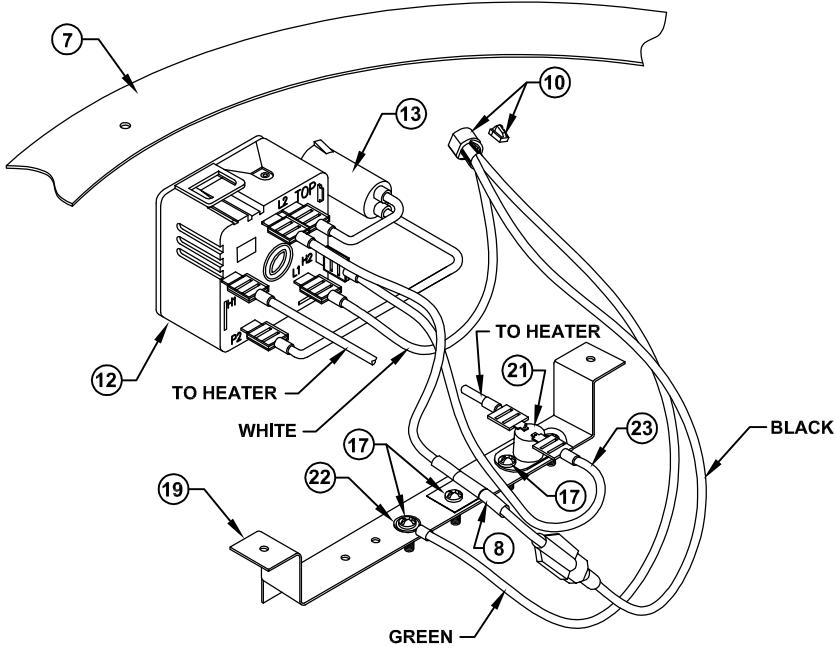
**DO NOT IMMERSE THE KETTLE IN ANY LIQUIDS.
DO NOT CLEAN THE KETTLE WITH WATER JET EQUIPMENT.**



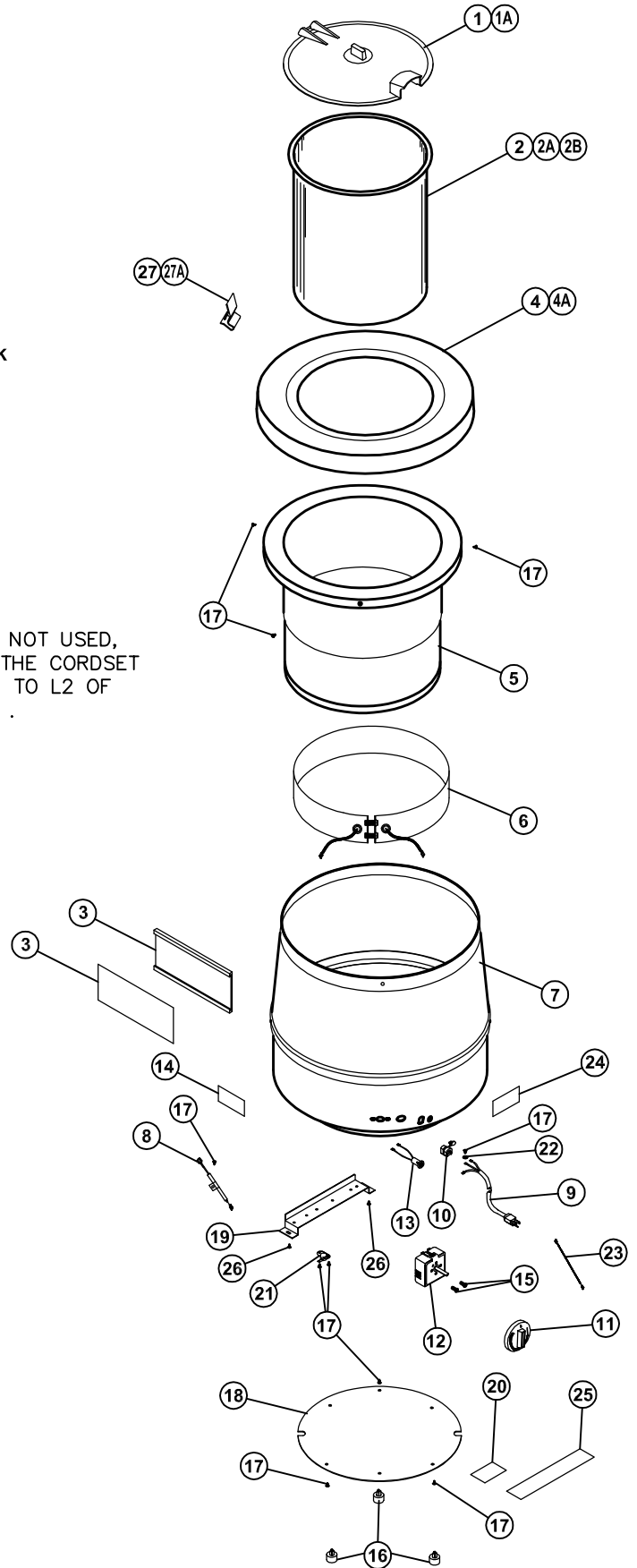
REPAIRS: Tomlinson Industries cannot be responsible for unauthorized field repairs. For repair service within the warranty, contact your distributor for the nearest authorized service facility or instructions.

Repairs must always be made by qualified personnel only. ALWAYS DISCONNECT POWER BEFORE SERVICING. If the supply cord is damaged, it must be replaced by the manufacturer, its service agent, or a similarly qualified person.

EXPLODED ASSEMBLY AND PART REFERENCE FOR THE TOMLINSON 120 VOLT FRONTIER II KETTLE ®



NOTE: WHEN ITEM (8) IS NOT USED, THE BLACK WIRE FROM THE CORDSET IS DIRECTLY CONNECTED TO L2 OF THE INFINITE SWITCH (12).



WARNING

REPAIRS: Tomlinson Industries cannot be responsible for unauthorized field repairs. For service within the warranty, contact your distributor for the nearest authorized service facility. REPAIRS must be made by qualified, authorized personnel only.

WARNING

This appliance MUST BE serviced by QUALIFIED PERSONNEL ONLY. The power supply cord MUST BE disconnected from the power source before starting any repairs.

**EXPLODED ASSEMBLY PART LIST FOR
THE TOMLINSON 120 VOLT FRONTIER II KETTLE®**

PARTS LIST

ITEM	DESCRIPTION	PART NO.	QTY.
1	LID, MOLDED 8QT.	1906803	1
1A	LID, MOLDED 12QT.	1906805	1
2	FOOD INSERT, 8QT. STAINLESS STEEL	1906625	1
2A	FOOD INSERT, 12QT. STAINLESS STEEL	1906626	1
2B	FOOD INSERT, 6QT. STAINLESS STEEL	1906624	1
3	KIT, CARDS MAGNETIC HOLDER FRONTIER II	1415149	1
4	COLLAR, 8QT. BLACK	1908501	1
4A	COLLAR, 12QT. BLACK	1908502	1
5	INSERT, KETTLE ALUMINUM	1914438	1
6	HEATER, BAND 650W 120V	1914402	1
7	SHELL, KETTLE ASSEMBLY BLACK	1414442	1
* 8	FUSE, THERMO 10.00" JUMPER 1-MALE, 1-FEMALE	1914765	1
9	CORDSET ASSEMBLY, 120V	1406871	1
10	BUSHING, STRAIN RELIEF	1913216	1
11	DIAL, SWITCH	1915623	1
12	SWITCH, INFINITE 120V UL/CSA	1912206	1
13	LIGHT, PILOT 120V AMBER LENS	1906721	1
14	LABEL, CAUTION HOT	1909401	1
15	SCREW, M4 x 0.7-6G x 6MM	1914869	2
16	FOOT, BLACK VINYL	1915175	3
17	SCREW, 6-32 x 3/8 PHILLIP PAN HEAD	1906608	9
18	PLATE, BOTTOM	1914440	1
19	BRACKET, TERMINAL BLOCK	1914441	1
20	LABEL, 650W KETTLE 120V	1914741	1
21	SWITCH, SNAP	1915034	1
22	WASHER, #6 INTERNAL TOOTH STAR	1907834	1
23	JUMPER, 10.00" 2-FEMALE INSULATED TERMINALS	1913663	1
24	LABEL, CAUTION HOT/SWITCH SETTING	1906710	1
25	LABEL, DISCONNECT POWER BEFORE SERVICE	1912262	1
26	SCREW, 8-32 x 3/8" PHILLIP PAN HEAD	1908189	2
27	HINGE, 8QT.	1906813	1
27A	HINGE, 12QT.	1907545	1

* optional component