

# ADJUSTABLE SF2000A SERIES

## COUNTER/CABINET MOUNT DISPENSERS

### FOR IN-COUNTER MOUNTING:

REFER TO CHART AND DIAGRAM BELOW TO ESTABLISH MOUNTING HOLE SIZE AND MINIMUM CLEARANCE. FOR EASE OF INSTALLATION AND SERVICE ALLOW AT LEAST 1/4" (6.35 mm) BETWEEN DISPENSERS (DIMENSION "A")

- 1.) Lay out and cut mounting hole for dispenser (See Figure 2).
- 2.) Dispenser is shipped with fingers set for smallest cup size. This setting permits access to mounting screw holes. If dispenser is not adjusted to this setting, rotate adjustable ring (5) clockwise to its smallest opening. The fingers (6) should be fully extended to maximum length (See Figure 3A).
- 3.) On the top surface of the adjustable ring (5) next to the finger tabs (5A) there are 3 equally spaced access holes. These holes provide access to the dispenser mounting holes on the mounting ring (8) (See Figure 3B).
- 4.) Slide dispenser into large hole in counter. Mark the mounting screw hole locations on counter. Remove cup dispenser and pre-drill (9/64" Ø) holes for an 8-18 x 3/4 phillips head mounting screw (7) (See Figure 4).
- 5.) Slide the dispenser back into the counter and secure using mounting screws (7) provided (See Figure 3B).
- 6.) Install clamp ring (11) by aligning ribs with retaining studs (2) and on mounting ring on dispenser and pressing it down until it snaps into place. (See Figure 4).

### LOADING THE DISPENSER:

Your Modular SF2000A cup dispenser can be adjusted for smaller cups by rotating the adjustable ring clockwise using the finger tabs. The dispenser can be adjusted for larger cups by rotating the adjustable ring counter-clockwise using the finger tabs.

Unwrap cups and gently push into completely assembled dispenser, BOTTOM OF CUP FACING OUT. (See Figure 1)

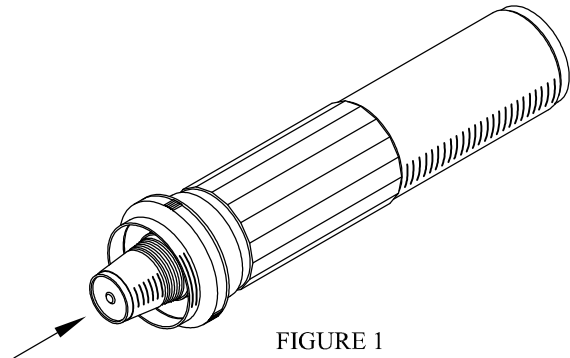


FIGURE 1

SF2000A	
INCHES (MILLIMETERS)	
A	6-3/4 (172mm)
B	22-1/8 (563mm)
C	5-1/4 (133mm)
D	5-1/2 (140mm)

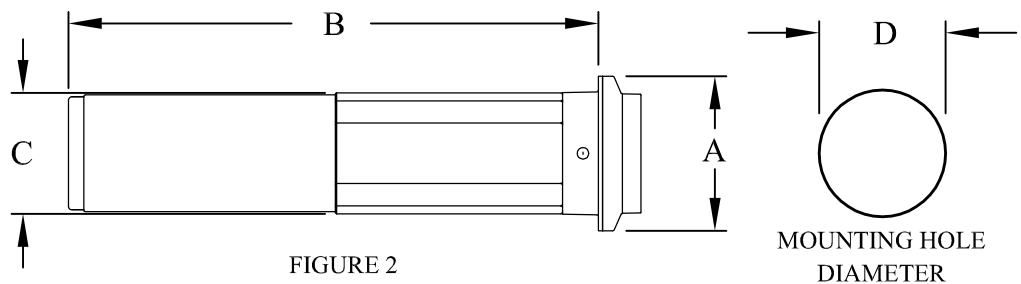


FIGURE 2

MOUNTING HOLE DIAMETER

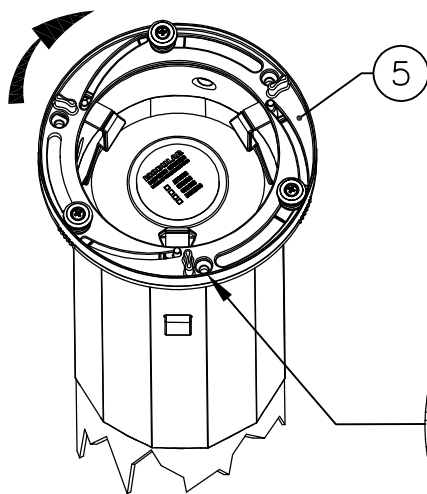


FIGURE 3A

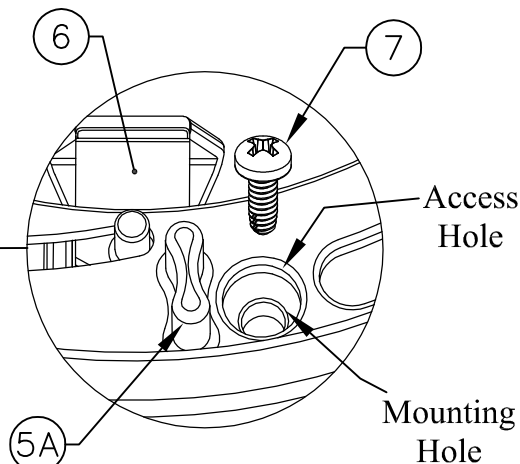


FIGURE 3B

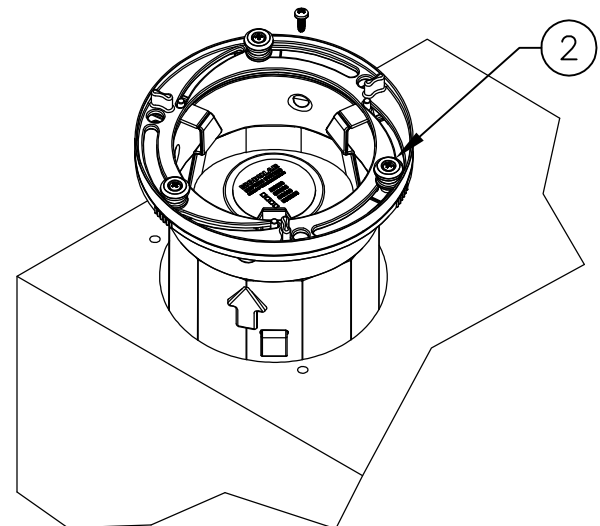
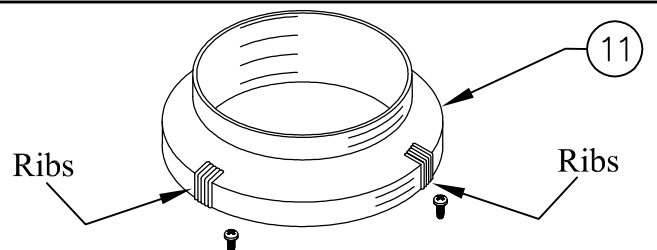


FIGURE 4

## MODULAR DISPENSING SYSTEMS

DIVISION OF TOMLINSON INDUSTRIES  
13700 Broadway Ave.  
Cleveland Ohio 44125-1992  
Phone: 216/587-3400  
Fax: 216/587-0733  
www.tomlinsonind.com



World Class, Worldwide  
©Tomlinson Industries 2011

# ADJUSTABLE SF2000A SERIES

## COUNTER/CABINET MOUNT DISPENSERS

### CLEANING THE DISPENSER:

Your Modular SF2000A dispenser is designed to provide an easy means of dispensing. The dispenser can be disassembled using only a phillips screwdriver to make regular cleaning simple. Please clean dispenser before use. Regular cleaning will prolong the life of the dispenser, keep it looking new and ensure sanitary dispensing.

- 1.) Remove clamp ring (11) and screws (7) to remove dispenser from mounting location. (See Figures 3 & 4)
- 2.) Remove adjustable ring screws (1), studs (2), o rings (3), shoulder washers (4) and adjustable ring (5) (See Figure 5).
- 3.) Remove fingers (6) by pushing the pusher (13) towards bottom of dispenser tube (9). This allows the top of the fingers to be angled towards the center of the dispenser. The fingers can now be pulled out of the slots in the tube.
- 4.) Remove pusher (13) and spring (14).
- 5.) Clean clamp ring, pusher and fingers in hot, soapy water. Allow parts to air dry. Rinse dispenser tube and wipe with a non-toxic cleaner/sanitizer.
- 6.) Reassemble dispenser in reverse of above. (See Figures 3, 4 and 5)

### DISPENSER PARTS LIST:

ITEM	DESCRIPTION	PART NO.	QTY.
1	SCREW, 8-18 x 1/2 PAN HEAD	1923103	3
2	STUD, MOUNTING RING ADJUSTABLE	1923590	3
3	O RING, 9/16 O.D. X5/16 I.D. X 1/8	1923591	3
4	WASHER, SHOULDER	1923102	3
5	RING, ADJUSTABLE NO.5X	1923097	1
6*	FINGERS, ADJUSTABLE SHORT LEG (BLACK)	1923098	3
6A**	FINGERS, ADJUSTABLE LONG LEG (GRAY)	1923987	3
7	SCREW, 8-18 x 3/4 PAN HEAD	1907911	3
8	RING, ADJUSTABLE MOUNTING NO.5X	1923096	1
9	TUBE, SF2000A WITH 3 SLOTS	1923099	1
10	LABEL, MODULAR	1906237	1
11	SF DECORATIVE CLAMP RING, NO.5	1905844	1
12	LABEL, BLACK ROUND SF2000	1914716	1
13	PUSHER, SF2000	1916686	1
14	SPRING, SF2000 27.25	1916010	1

\* Model 1023095 uses the 1923098 fingers.  
 \*\* Model 1023593 uses the 1923987 fingers.

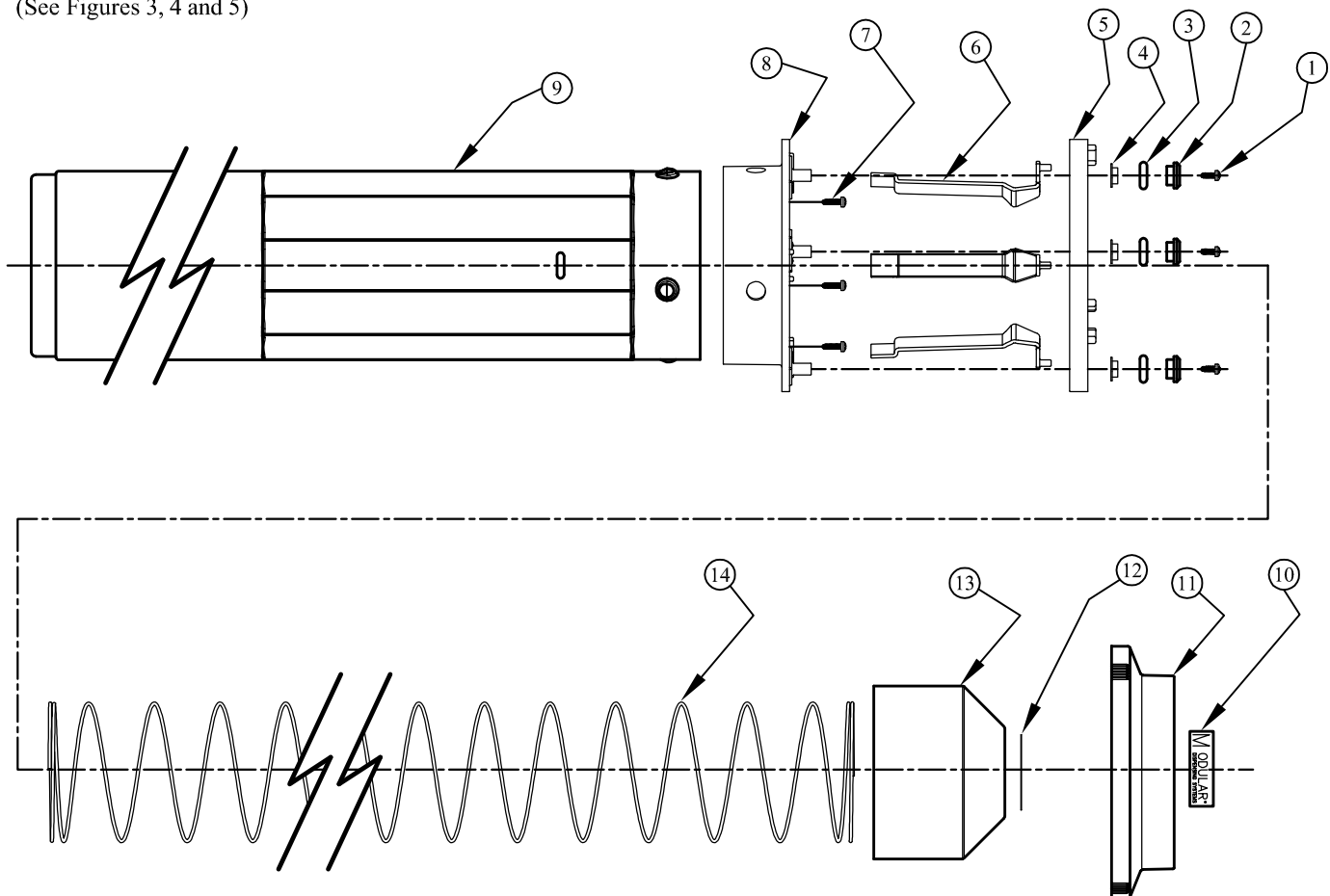


FIGURE 5

## MODULAR DISPENSING SYSTEMS

DIVISION OF TOMLINSON INDUSTRIES

13700 Broadway Ave.  
 Cleveland Ohio 44125-1992

Phone: 216/587-3400

Fax: 216/587-0733

www.tomlinsonind.com

World Class, Worldwide

©Tomlinson Industries 2011

