

MODULAR L-200 / L-212 SERIES LID DISPENSERS

STRAW DISPENSER LOCATION:

1. Peel the backing off of the tape and attach this section between the RIGHT inside of the Lid Dispenser and one of the dividers.
2. Attach the Divider with the Straw Dispenser to the bottom of the Lid Dispenser with the hardware provided.

DIVIDER LOCATION:

Space the remaining dividers according to your lid sizes and attach the dividers to the Lid Dispenser with the provided hardware.

NOTE: Remaining divider quantity will vary depending on model.

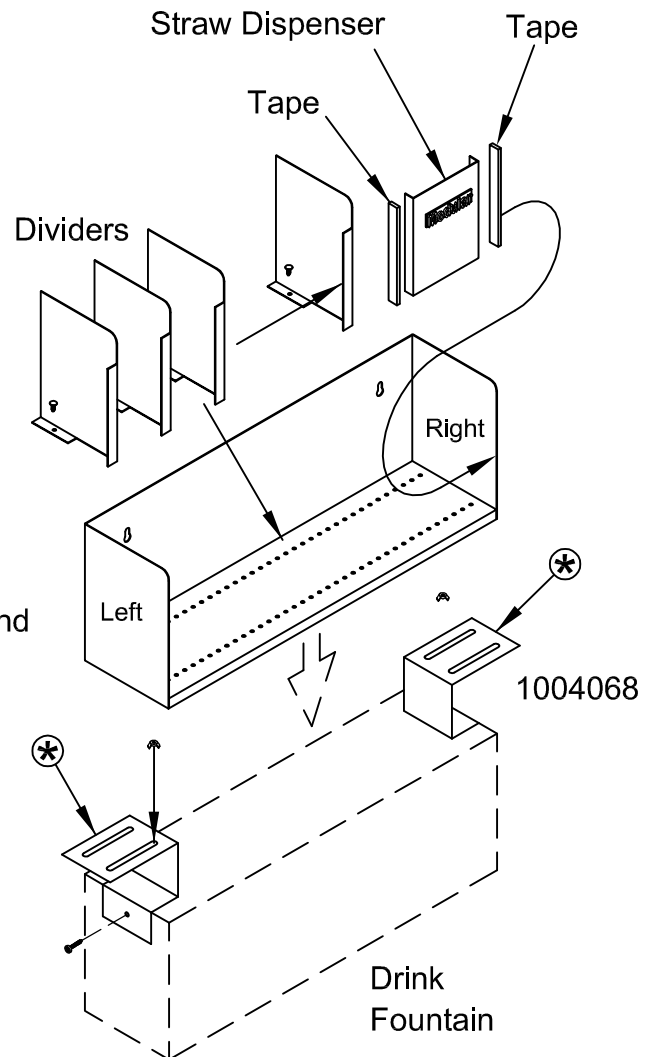
MOUNTING THE LID DISPENSER:

The Lid Dispenser can be attached to a vertical surface with the keyhole slots or simply set on a counter.

Part Number 1004068 attaches between the bottom of the Lid Dispenser and the top cover of a drink dispensing fountain as shown above.

1. Drill holes as required into the top cover and attach the brackets with the hardware provided.
2. Using the slots in the bracket and holes in the bottom of the Lid Dispenser, align and attach the two pieces using the hardware provided.

* MOUNTING BRACKET KIT (1004068) MUST BE SPECIFIED WHEN ORDERING. (SOLD SEPARATELY)



MODULAR

DISPENSING SYSTEMS

DIVISION OF TOMLINSON INDUSTRIES

13700 Broadway Ave.

Cleveland Ohio 44125-1992

Phone: 216/587-3400

Fax: 216/587-0733

www.tomlinsonind.com

World Class, Worldwide

© Tomlinson Industries 2013