

SIMPLI-FLEX®

Model: SF2101 Part Number: 1015600

Model: SF2102 Part Number: 1015599

Model: SF2103 Part Number: 1015598

Model: SF2104 Part Number: 1015393

CABINET CUP DISPENSERS

LOADING THE DISPENSER:

Your Modular SIMPLI-FLEX® cabinet dispenser is completely self-adjusting and can dispense virtually any size or shape of cup!

For reference to instructions below use exploded view of cabinet dispenser. (See Figure 2)

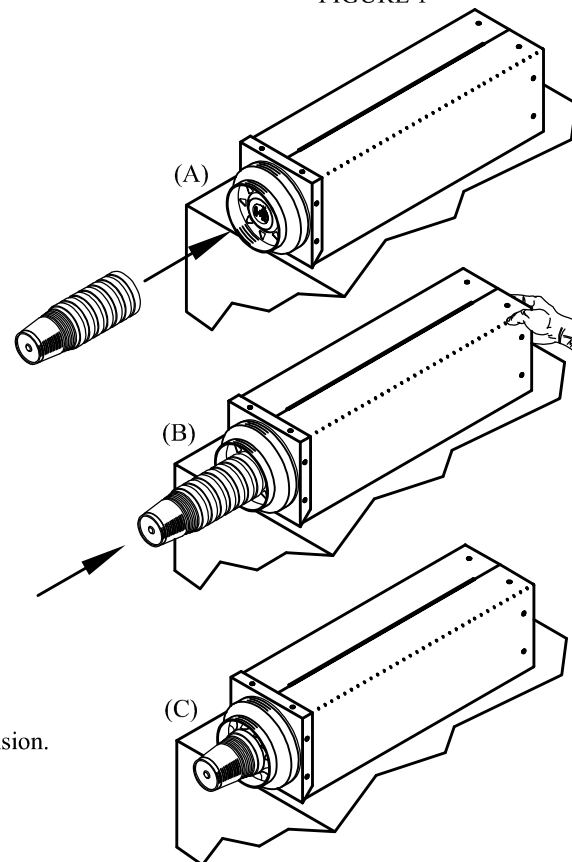
1. Unwrap desired cups for dispenser.
2. Visually align cups with center of gasket and pusher. (See Figure 1)
NOTE: bottom of cups to be facing out.
3. With one hand holding the back of the cabinet dispenser, push cups firmly into gasket until cups penetrate inside unit. (See Figure 1)

CHANGING CUP SIZE:

For reference to instructions below use exploded view of cabinet dispenser. (See Figure 2)

1. Remove cups from cabinet dispenser.
2. Remove decorative clamp ring. (See Page 2, Figure 3)
3. Peel off gasket from lip of dispenser tube. (See Page 2, Figure 3)
NOTE: CAUTION when removing gasket, pusher may be under small amount of spring tension.
4. Replace gasket with desired size (See gasket reference chart supplied in gasket pack).
5. Reassemble cabinet dispenser.

FIGURE 1

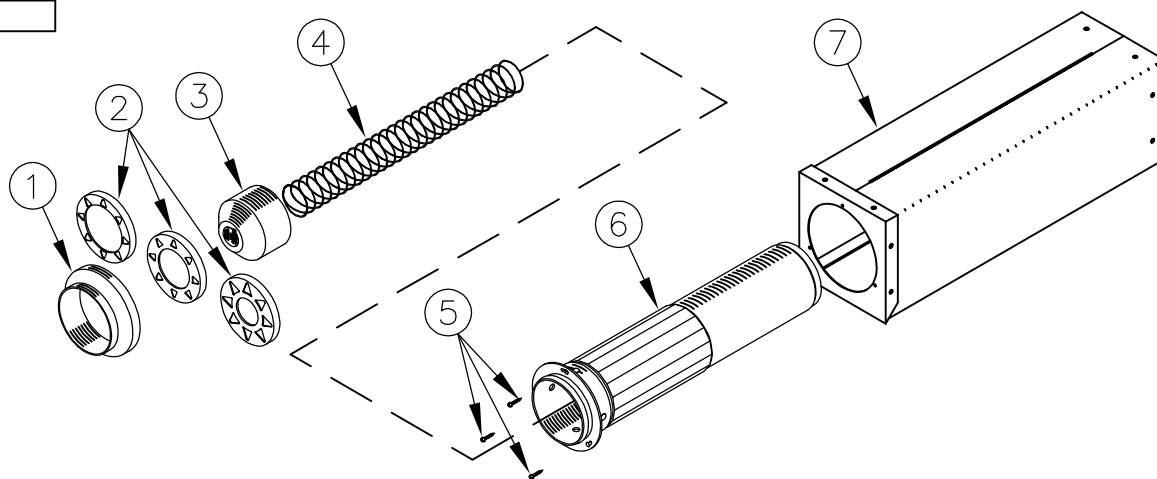


SIMPLI-FLEX 2101®

EXPLODED VIEW

No.	Description
1	Decorative clamp ring
2	Gasket(s)
3	Pusher
4	Spring
5	Screw(s)
6	Dispenser tube
7	Cabinet

FIGURE 2



* NOTE: Illustration above shows a single cup dispenser cabinet, instructions apply to all cabinets, regardless of the number of dispensers.

MODULAR®
DISPENSING SYSTEMS
 DIVISION OF TOMLINSON INDUSTRIES
 13700 Broadway Ave.
 Cleveland Ohio 44125-1992
 Phone: 216/587-3400
 Fax: 216/587-0733
 www.tomlinsonind.com
 World Class, Worldwide
 © Tomlinson Industries 2000

Model: SF2101 1 Dispenser (Shown Above)
 Model: SF2102 2 Dispensers
 Model: SF2103 3 Dispensers
 Model: SF2104 4 Dispensers

SIMPLI-FLEX®

FIGURE 3

Model: SF2101 Part Number: 1015600

Model: SF2102 Part Number: 1015599

Model: SF2103 Part Number: 1015598

Model: SF2104 Part Number: 1015393

CABINET CUP DISPENSERS

CLEANING THE DISPENSER:

Your Modular SIMPLI-FLEX® dispenser is designed to provide an easy means of dispensing. Please clean dispenser before use. Regular cleaning will prolong the life of the dispenser, keep it looking new and ensure sanitary dispensing.

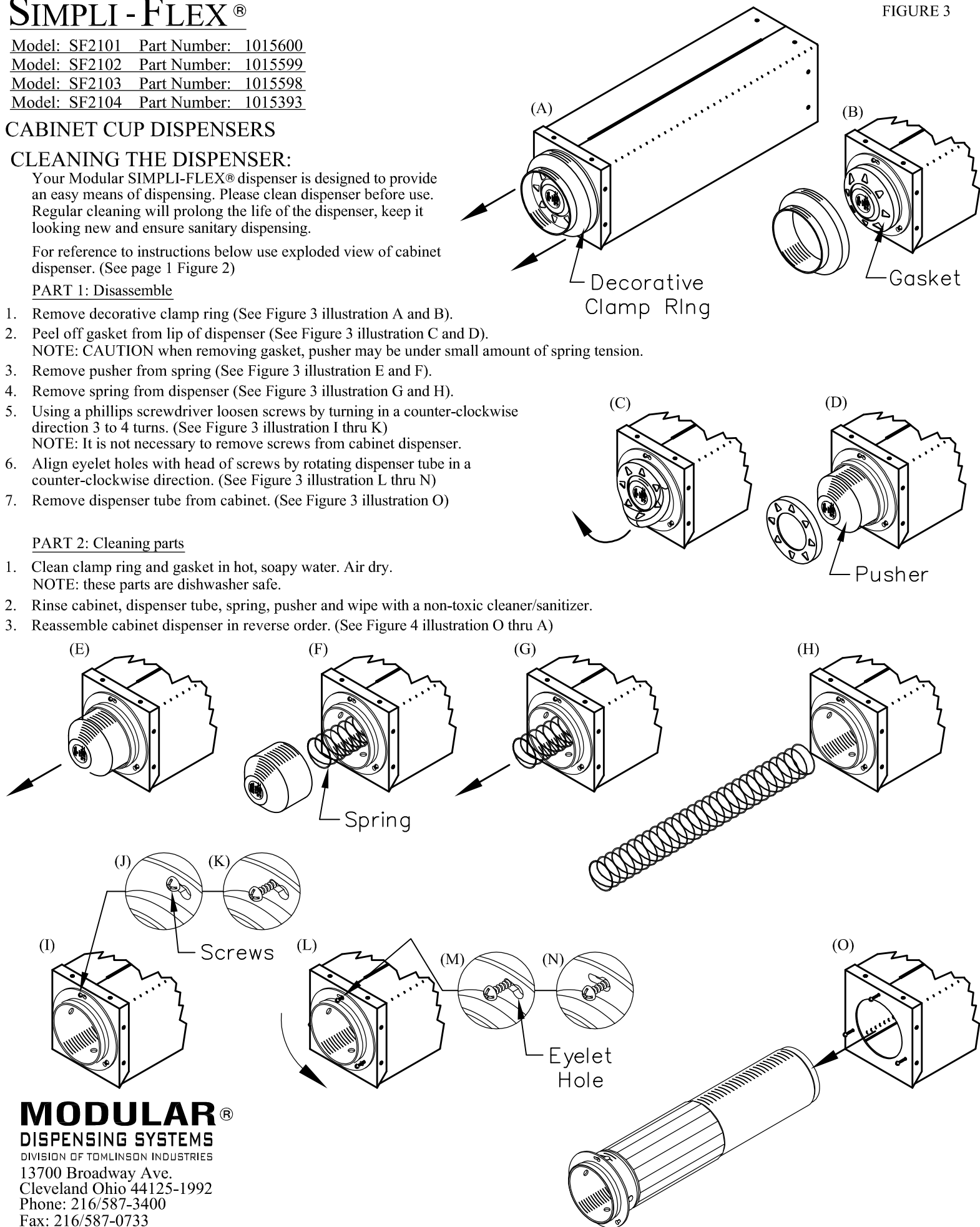
For reference to instructions below use exploded view of cabinet dispenser. (See page 1 Figure 2)

PART 1: Disassemble

1. Remove decorative clamp ring (See Figure 3 illustration A and B).
2. Peel off gasket from lip of dispenser (See Figure 3 illustration C and D).
NOTE: CAUTION when removing gasket, pusher may be under small amount of spring tension.
3. Remove pusher from spring (See Figure 3 illustration E and F).
4. Remove spring from dispenser (See Figure 3 illustration G and H).
5. Using a phillips screwdriver loosen screws by turning in a counter-clockwise direction 3 to 4 turns. (See Figure 3 illustration I thru K)
NOTE: It is not necessary to remove screws from cabinet dispenser.
6. Align eyelet holes with head of screws by rotating dispenser tube in a counter-clockwise direction. (See Figure 3 illustration L thru N)
7. Remove dispenser tube from cabinet. (See Figure 3 illustration O)

PART 2: Cleaning parts

1. Clean clamp ring and gasket in hot, soapy water. Air dry.
NOTE: these parts are dishwasher safe.
2. Rinse cabinet, dispenser tube, spring, pusher and wipe with a non-toxic cleaner/sanitizer.
3. Reassemble cabinet dispenser in reverse order. (See Figure 4 illustration O thru A)



MODULAR®
DISPENSING SYSTEMS
DIVISION OF TOMLINSON INDUSTRIES
13700 Broadway Ave.
Cleveland Ohio 44125-1992
Phone: 216/587-3400
Fax: 216/587-0733
www.tomlinsonind.com
World Class, Worldwide
© Tomlinson Industries 2000