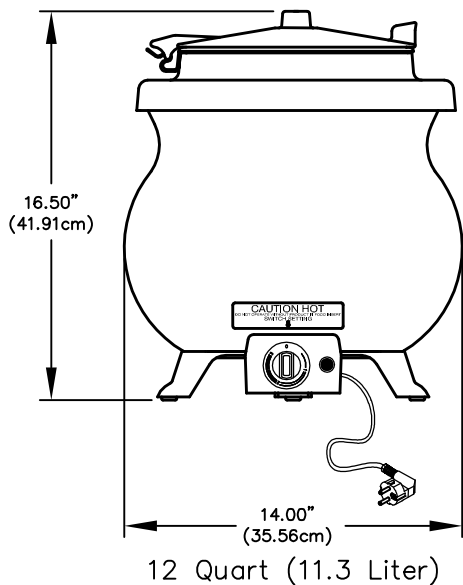


OPERATING AND MAINTENANCE INSTRUCTIONS FOR THE TOMLINSON 230 VOLT FRONTIER KETTLE ®



GENERAL SPECIFICATIONS

VOLUME: 8 Quart (7.6 Liter)
12 Quart (11.3 Liter)

HEIGHT: 15.00" (38.1cm)
16.50" (41.9cm)

DIAMETER: 14.00" (ø35.56cm)

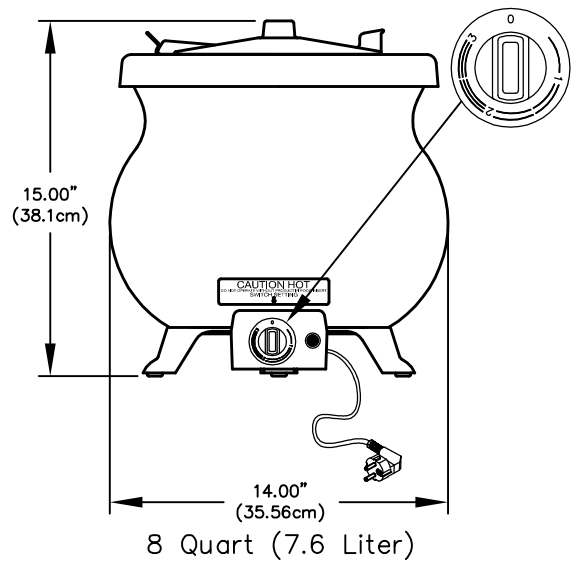
WEIGHT: 24 lbs. (11 Kg)

VOLTS: 230V AC

HERTZ: 50-60 Hz

WATTS: 1250W

AMPS: 5.4 AMPS



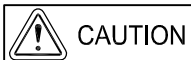
TO ENERGIZE:

Plug the power cord(#7) into a 230V AC outlet and rotate temperature control knob(#26) to desired setting. The pilot light will glow amber when unit is on.

PREPARATION:

Always follow food manufacturer's instructions to prepare food. Product can be mixed in a separate container or directly in the food insert. NEVER MOVE OR CARRY THE ENTIRE KETTLE WHEN HOT OR FULL. The optional bail handle and transport collar may be used to aid transportation of the filled food insert to the kettle.

DO NOT FILL FOOD INSERT TO THE RIM. FOOD PRODUCT SHOULD BE 2.0"(5cm)
BELOW THE RIM. OVER FILLING THE FOOD INSERT MAY RESULT IN
A BOIL OVER CONDITION AT HIGH TEMPERATURE SETTINGS.



TEMPERATURE CONTROL SWITCH SETTINGS:

The Frontier Kettle temperature control switch is an "infinite" type switch. Any product temperature from ambient to boiling can be obtained by setting the switch at various points above 0 (lowest electrical energy input) and 3 (highest electrical energy input). Frontier Kettle is shut off when switch is in the 0 position. For energy savings always turn switch to 0 when the kettle is not in use. Switch settings below 1 provide minimum heating. Switch setting on 3 provides maximum heating.



DO NOT RUN EMPTY KETTLE ON SETTING 3!

TEMPERATURE ADJUSTMENT:

The Frontier Kettle may be operated either "wet" or "dry", and will maintain its contents at any desired temperature. The kettle's 1250 watt heating element provides fast, efficient heating of room temperature, refrigerated, or frozen food products.

WET OPERATION:

Wet operation is recommended for most preparation and serving situations. Remove food insert(#35) and collar(#30). Add water to aluminum insert(#34) then replace collar(#30) and food insert(#35). Add 40 ounces(1.2L) of water, for 8 quart(7.6L) model, or 24 ounces(0.7L) of water for the 12 quart(11.3L) model.

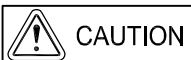
To rapidly heat product, set switch at 3. When desired product temperature is reached, set switch at 1. If product BOILS, set switch between 0 and 1 until serving temperature is reached. Set between 1 and 2 to HOLD or SERVE. Cold food is not to be added to unit for rethermalization while hot food is being held.

DRY OPERATION:

To maintain product at about 165°F(74°C) during SERVING CONDITIONS (i.e., the cover being opened frequently), the temperature control should be set at 2. Setting the switch at 1 will maintain product at about 165°F(74°C) during HOLDING CONDITIONS (e.g., the cover closed, with long intervals between servings). Adjustments from these recommended settings may have to be made for different products and varying serving conditions.

CLEANING:

The Frontier Kettle should provide maintenance free operation. Only routine cleaning of spilled food from the exterior surface is required. The stainless steel food insert and plastic lid are machine washable. The cast aluminum kettle shell should be cleaned only with a soft cloth and mild detergent.



**DO NOT IMMERSE THE KETTLE IN ANY LIQUIDS
DO NOT CLEAN THE KETTLE WITH WATER JET EQUIPMENT**

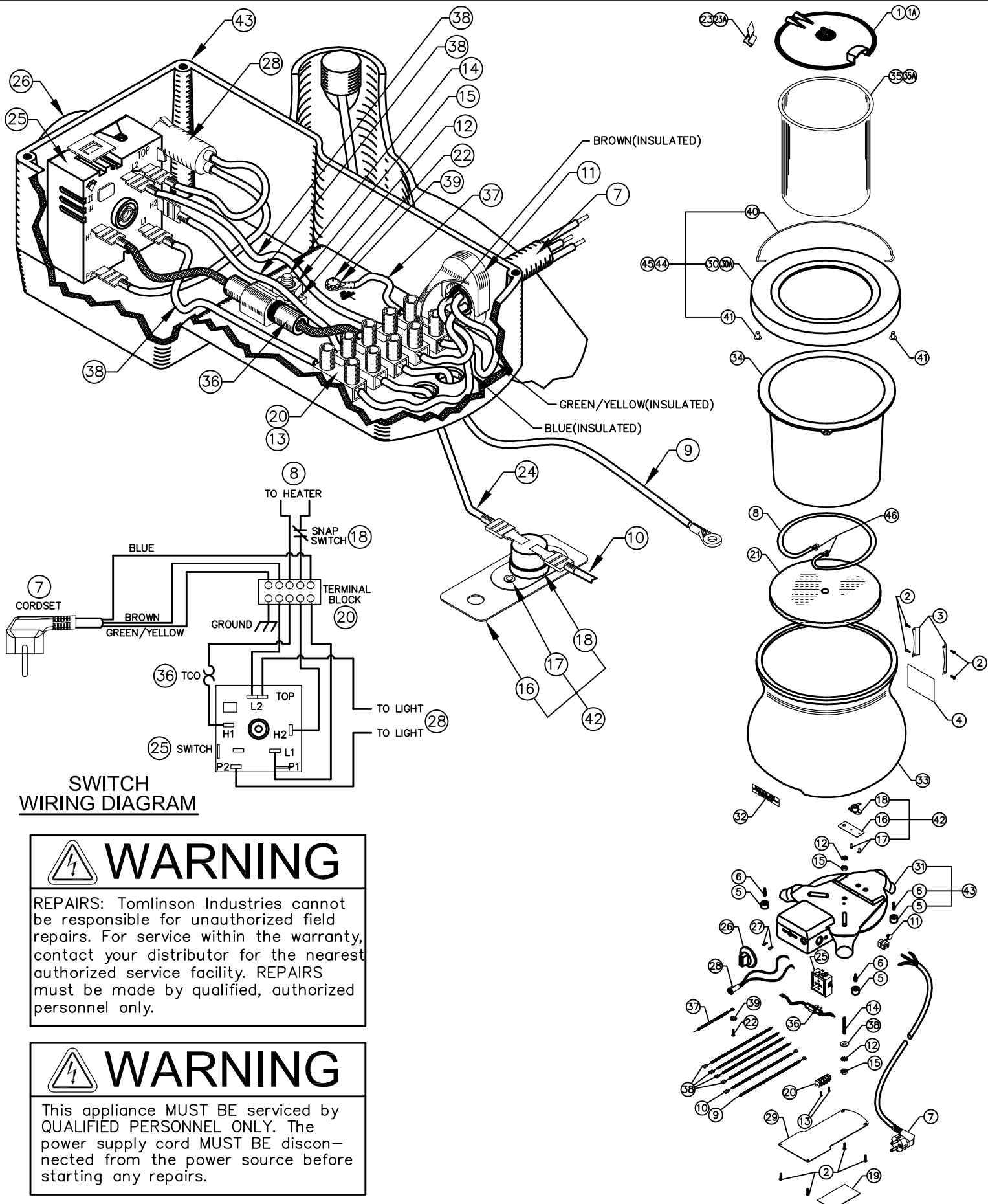


REPAIRS: Tomlinson Industries cannot be responsible for unauthorized field repairs. For repair service within the warranty, contact your distributor for the nearest authorized service facility or instructions.

Repairs must always be made by qualified personnel only. ALWAYS DISCONNECT POWER BEFORE SERVICING.

If the supply cord is damaged, it must be replaced by the manufacturer, its service agent, or a similarly qualified person in order to avoid a hazard.

EXPLODED ASSEMBLY AND PART REFERENCE FOR THE TOMLINSON 230 VOLT FRONTIER KETTLE *



⚡ WARNING

REPAIRS: Tomlinson Industries cannot be responsible for unauthorized field repairs. For service within the warranty, contact your distributor for the nearest authorized service facility. REPAIRS must be made by qualified, authorized personnel only.

⚡ WARNING

This appliance **MUST BE** serviced by **QUALIFIED PERSONNEL ONLY**. The power supply cord **MUST BE** disconnected from the power source before starting any repairs.

**EXPLODED ASSEMBLY PART LIST FOR
THE TOMLINSON 230 VOLT FRONTIER KETTLE ®**

PARTS LIST			
ITEM	DESCRIPTION	PART NO.	QTY.
1	LID, MOLDED 8QT.	1906803	1
1A	LID, MOLDED 12QT.	1906805	1
2	SCREW, 6-32x3/8 BLACK OXIDE	1906609	8
3	PLATE, CLAMPING SOUP CARD BLACK OXIDE	1906619	2
4	CARD SET, BAGGED 22 SOUP CARDS	1906614	1
5	BUMPER, KETTLE LEG		3
6	STUD, FOR KETTLE LEG		3
7	CORDSET, 240V RIGHT ANGLE EUROPLUG	1906697	1
8	HEATER, TUBULAR 1250W 240V	1906748	1
9	JUMPER, 6" 1-RING TERMINAL	1906819	1
10	JUMPER, 6" 1-RING, 1-FEMALE TERMINAL	1906818	1
11	BUSHING, STRAIN RELIEF	1913216	1
12	WASHER, 1/4" EXTERNAL TOOTH LOCK	1906640	2
13	SCREW, 6-32x3/4 PHILLIP PAN HEAD	1906605	2
14	SET SCREW, STAINLESS STEEL 1/4-20x1-3/4	1906604	1
15	NUT, 1/4-20 ZINC PLATED STEEL HEX	1906601	2
16	PLATE, THERMOSTAT MOUNTING		1
17	RIVET, #42 STAINLESS STEEL POP		2
18	THERMOSTAT		1
19	LABEL, SERIAL# 230V 1250W CE	1906713	1
20	BLOCK, TERMINAL 5 WIRE	1906603	1
21	INSULATOR, 10" DIAMETER	1906906	1
22	SCREW, 6-32x3/8 PHILLIP PAN HEAD	1906608	1
23	HINGE, 8QT	1906813	1
23A	HINGE, 12QT	1907545	1
24	JUMPER, 12" W/2-FEMALE TERMINALS	1906822	1
25	SWITCH, INFINITE 240V VDE	1915433	1
26	DIAL, SWITCH	1915623	1
27	SCREW, M4X0.7X10.0MM ZINC PLATED	1915032	2
28	LIGHT, PILOT 240V AMBER LENS	1906722	1
29	PLATE, KETTLE COVER ALUMINUM	1906704	1
30	COLLAR, 8QT BLACK	1908501	1
30A	COLLAR, 12QT BLACK	1908502	1
31	BOTTOM PLATE		1
32	LABEL, CAUTION HOT	1906710	1
33	KETTLE, SOUP (NOT PAINTED)	1906759	1
34	INSERT, 1250W ALUMINUM	1906943	1
35	FOOD INSERT, 8QT STAINLESS STEEL	1906625	1
35A	FOOD INSERT, 12QT STAINLESS STEEL	1906626	1
36	FUSE, THERMO 8" JUMPER ASSEMBLY	1912456	1
37	JUMPER, 2.5" GREEN/YELLOW 1-#6 RING TERMINAL	1906638	1
38	JUMPER, 6" 1-FEMALE TERMINAL	1906820	4
39	WASHER, #6 EXTERNAL TOOTH LOCK	1904446	1
40	BAIL HANDLE, TRANSPORT COLLAR (OPTIONAL)		1
41	RIVET, STAINLESS STEEL (OPTIONAL)		2
42	SWITCH,SNAP 240V & MTG PLATE	1419549	1
43	BOTTOM PLATE,BLACK W/STUDS & BUMPERS	1019296	1
44	TRANSPORT ASSEMBLY 8 QT. BLACK (OPTIONAL)	1406651	1
45	TRANSPORT ASSEMBLY 12 QT. BLACK (OPTIONAL)	1406654	1
46	SCREW, 10-32 X 5/16 PHL PAN HD	1924199	2